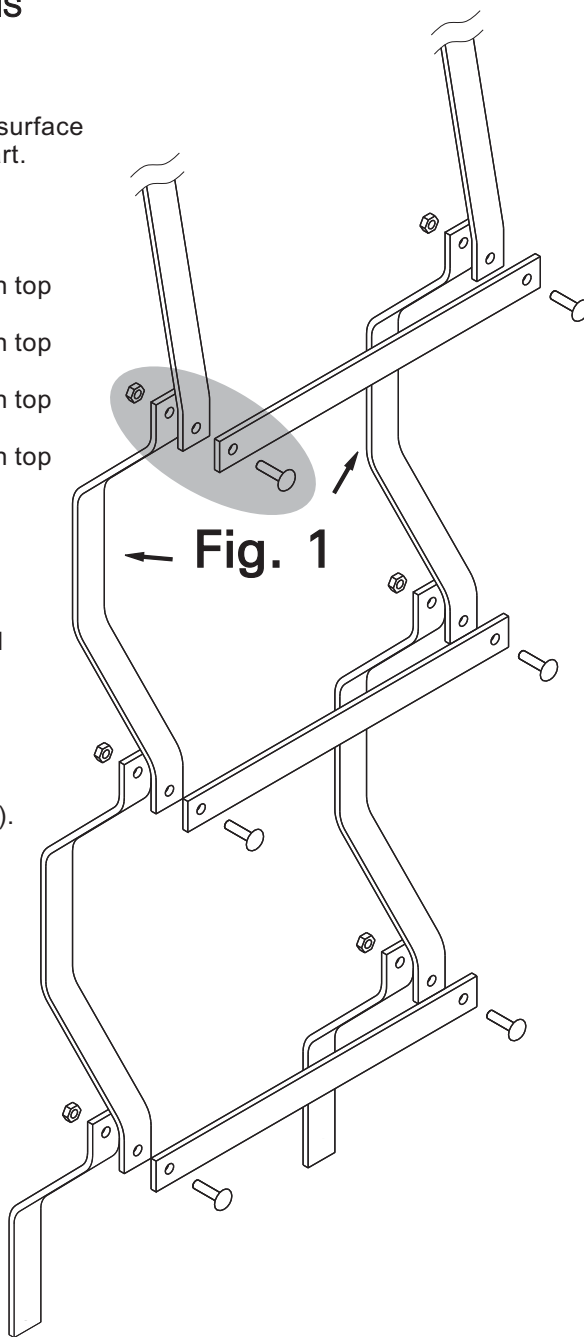




Window Well Ladder for Wood or Concrete Wells (WWL-W)

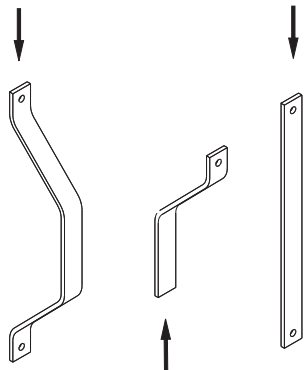
LADDER ASSEMBLY INSTRUCTIONS

1. Place 1 inch Bolts into the hole on each end of all 3 Rungs. Place upside down on a table or flat surface spaced approximately 12 inches apart.
2. Insert 2 Half Braces onto the bolts on top of the first Rung. Insert 2 Full Braces onto the bolts on top of the first and second Rungs. Insert 2 Full Braces onto the bolts on top of the second and third Rungs. Insert 2 Half Braces onto the bolts on top of the third Rung. (See Fig. 1 for ideal stacking)
3. Place Nuts on all six 1 inch bolts and turn until finger tight.
4. Lay ladder on its side (see Fig. 2) and line up with a square (see Fig. 3). Tighten the three Nuts near the flat surface with a 7/16 inch wrench. Turn the ladder onto the other side and tighten the remaining 3 Nuts.
5. **Optional Extension Kits**
For deeper wells, visit www.grate.com for ladder extension kits or call (303) 278-6262



Contents

4 Full Braces 3 Rungs



4 Half Braces

6 Bolt and Nut Sets



Fig. 2

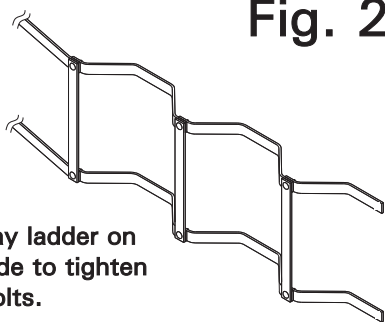
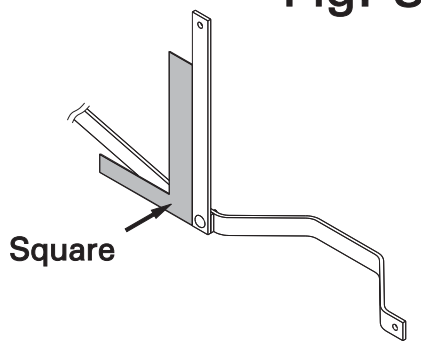


Fig. 3



INSTRUCTIONS FOR MOUNTING OF LADDER TO WOOD OR CONCRETE WELL

1. Drill holes through the flat ends of all 4 Half Braces and into your well.
2. Use appropriate bolts (not provided) to fasten assembled ladder into your wood or concrete well.

Need Help, Have Questions, Need Parts? We're Here: (303) 278-6262

Or visit us at www.grate.com